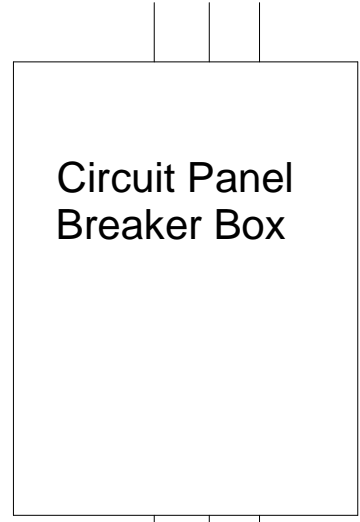
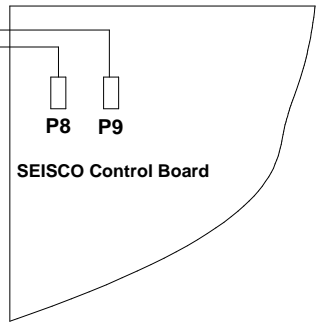
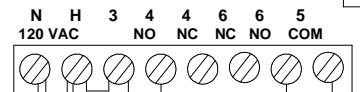
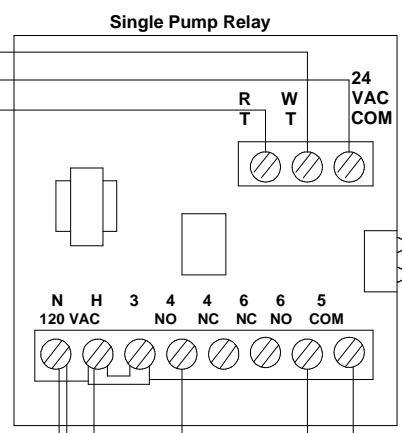
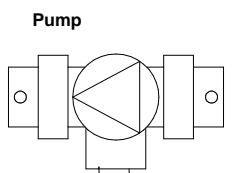
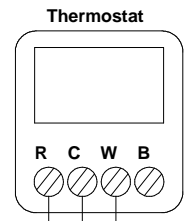


REVISIONS				
ZONE	REV	DESCRIPTION	DATE	APPROVED
			May 5, 2010	



120 VAC Source

- CKT1-L1
- CKT1-L2
- CHASSIS GROUND

Black 230 VAC Leg  
Red 230 VAC Leg  
Ground

**Note:**  
1. All wiring for SEISCO must be in accordance with local electrical wiring codes.

//TT/common/assemblies/HRC/TTI Info

DRAWN RB CASS	DATE 10-03-07	<b>TERRA-THERM, Inc.</b>			
CHECKED					<b>Single Zone Electrical Wiring Diagram</b>
QA		SIZE B	FSCM NO.	DWG NO.	REV
MFG		SCALE			SHEET
APPROVED					